

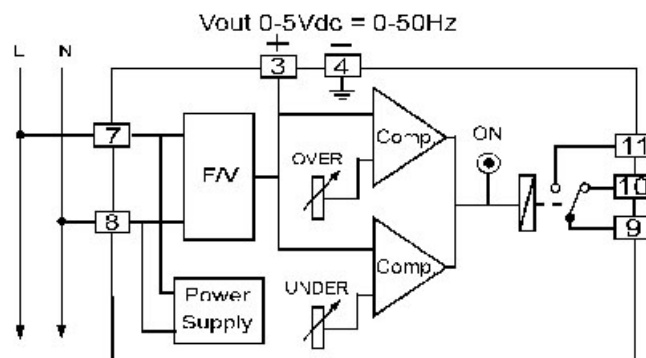
Frequency Relay

FR95



- Over-under frequency Protection
- Output relay SPDT, 250V, 3A
- LED indicate relay status
- Signal output for panel meter display

The Frequency Relay FR95 is designed to monitor the system frequency. When the frequency moves outside the setpoint limit the relay will operate giving an alarm or tripping signal. Since speed is proportional to frequency, it can be used to protect A.C. generator plant against overspeed or underspeed.



Specifications

Input

Number of channel: 1 Channel

Input type: Voltage

Input range: 110, 220 VAC

Over frequency: 50 to 55 Hz.

Under frequency: 45 to 50 Hz.

Analog Output

Number of channel: 1 Channel

Output type: Voltage

Output range: 0 to 5 VDC

Output Frequency: 0 to 50 Hz

Relay Output

Number of channel: 1 Channel

Relay type: N.O., N.C. (SPDT)

Output range: 3 A @ 250 VAC

Environmental Limits

Operating Temperature: 0 to 55 °C

Operating Humidity: 5 to 95% RH

Storage Temperature: 0 to 70 °C

Physical Characteristics

Dimension: W50 x H70 x D130 mm.

Mounting: Wall or DIN rail

Connection: Plug-in 11 pins socket

Wiring: Screw terminals on base socket

Warranty

Warranty Period: 5 year

Ordering Information: Specify Input

Example FR95/220VAC

Package Checklist

1. FR95